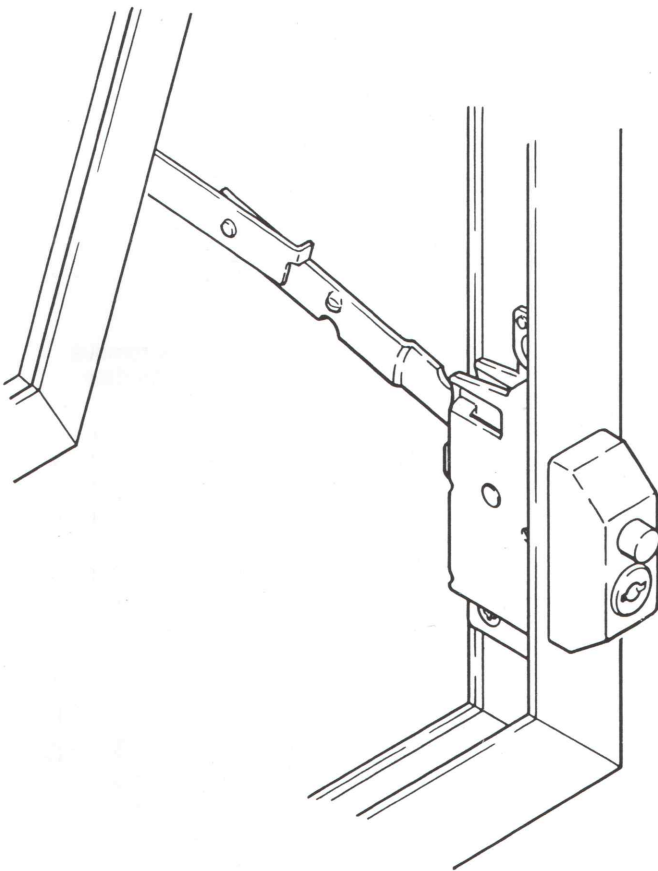


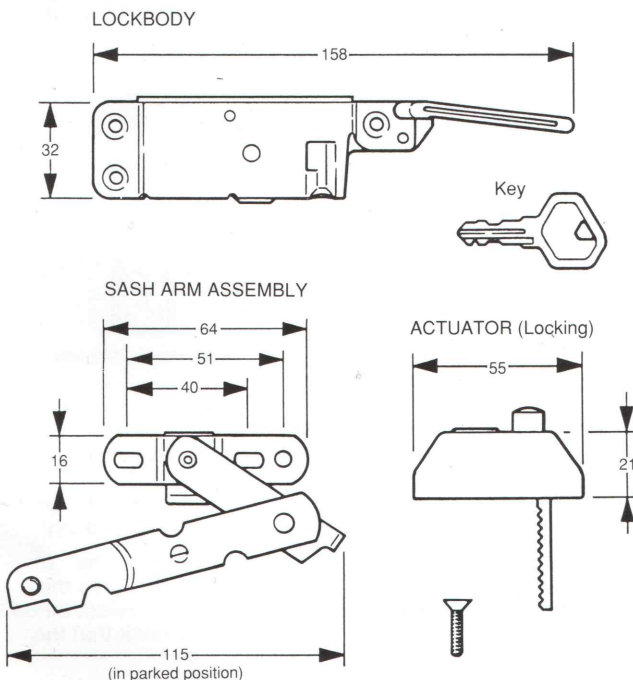
SECURILATCH



- The Securilatch™ is a cavity-mounted window restrictor that combines security with ease of operation. Its strong construction restricts window opening even under high forces yet it can be released with the push of a button. It is suitable for top hung, side hung and pivoting windows.
- The Securilatch has been designed to operate in aluminium and PVCu window systems and represents an advance in user-friendly design and fitness for purpose when compared with many other restrictor devices.
- The required window cavity size is 33mm ± 1mm width x 14 ± 1mm height.
- Positioned on the opening side of the window the Securilatch has been designed to withstand 150kg of force.
- The Securilatch offers safe operation by press-button from within the room; there is no need to reach into the window cavity.
- The Securilatch has key-locking as standard. When key locked the window, when opened, will always be restricted and the press-button-to-release will not operate. When the actuator is unlocked by the key the Securilatch will still restrict the window when opened, but the press button will now be 'operative' - it will release the restrictor if pressed when the window is in the closed position. (This release-when-closed feature is an anti-intruder measure.) When the sash is released the Securilatch automatically re-engages on closure.
- An adjustable actuator allows the Securilatch to be adapted to different window systems, tailored to varying thickness and height of frame rebates, varying reveal positions and varying cavity widths.
- The Securilatch will restrict window opening to a maximum of 100mm.
- **TEST CRITERIA:** Securilatch has been tested to 36,000 cycles and to withstand a breaking strain of a minimum 150kgf.
- **FINISH:** The Securilatch lockbody is made from 304-grade stainless steel with treated zinc diecast internal components and an acetel stop arm. The arm assembly is made from 304-grade stainless steel and the in-room actuator is made from pre-treated and powdercoated diecast zinc with steel covered zinc lock barrel and two keys supplied. Actuator body colours are black and white powdercoat as standard with other finishes by arrangement.

COMPONENTS

PRODUCT SPECIFICATION



CAVITY SIZE	APPLICATION	APPROXIMATE SASH OPENING DISTANCE	PRODUCT No.
33 x 14 ± 1mm	L.Hand PTH/ R.Hand PSH	80-100mm	P1066 (locking)
33 x 14 ± 1mm	R.Hand PTH/ L.Hand PSH	80-100mm	P1067 (locking)

- The Securilatch comes in three main parts - a press-button actuator (with locking optional) which is fitted to the window frame on the inside of the room, a lockbody which sits hidden in the window cavity, and a sash arm assembly which fits out of sight on the sash.
- The Securilatch is a handed product and will need to be ordered accordingly. Each hand has specific window applications as follows:
 - a) Left hand top hung/LH horizontal pivot/RH side hung.
 - b) Right hand top hung/RH horizontal pivot/LH side hung.**Handing is when viewed from the inside of the room.**
- Securilatch is supplied in 5-unit cartons complete with self-tapping screws for actuator mounting and two keys per Securilatch. Securilatches are all keyed alike.
- Window system-specific packers may be needed and should be ordered separately.
- Securilatch comes complete with clear and comprehensive fitting instructions.